
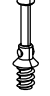




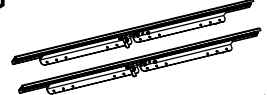
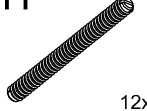



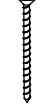



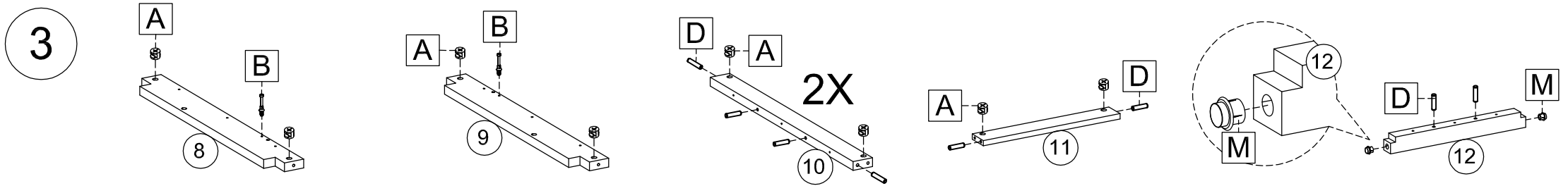
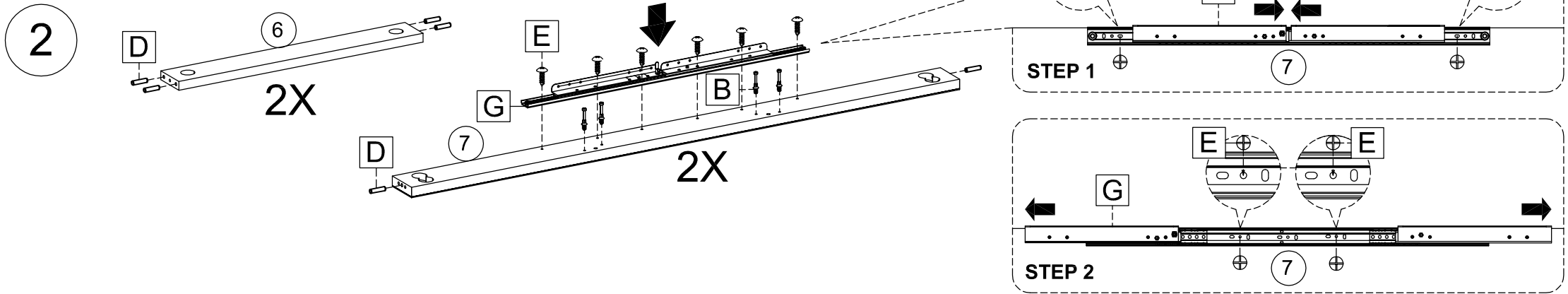
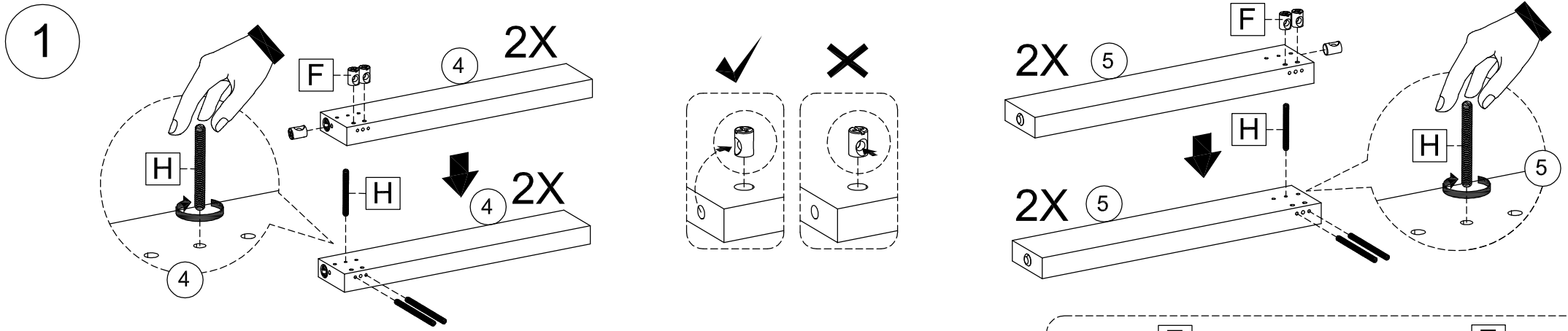
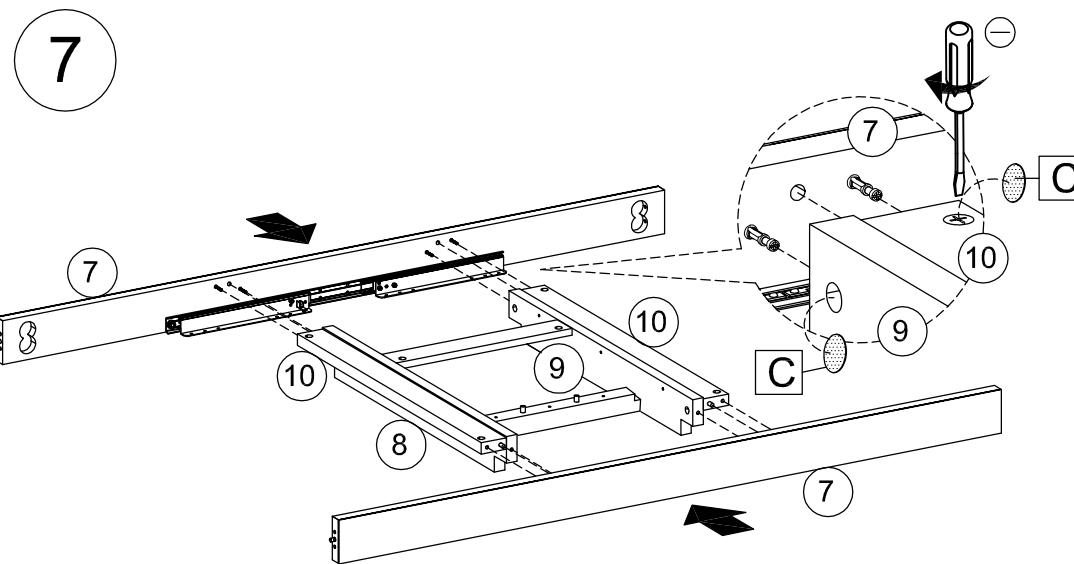
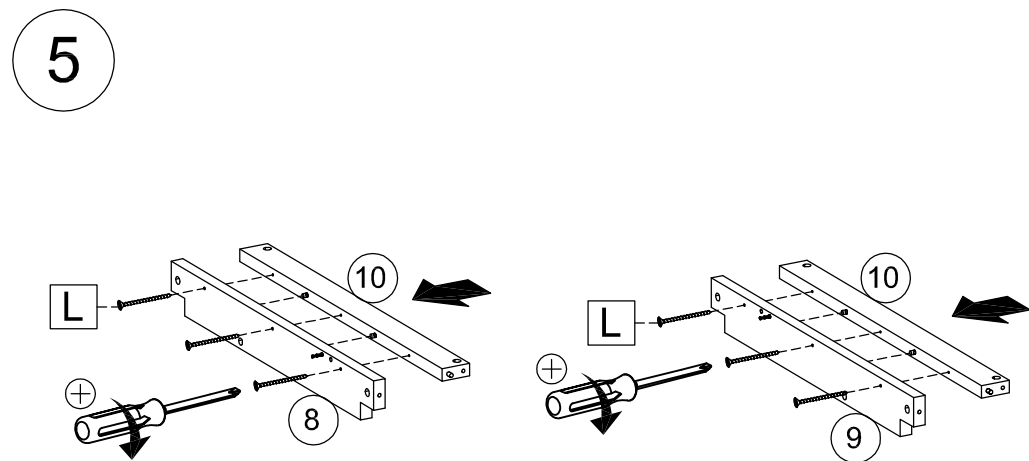
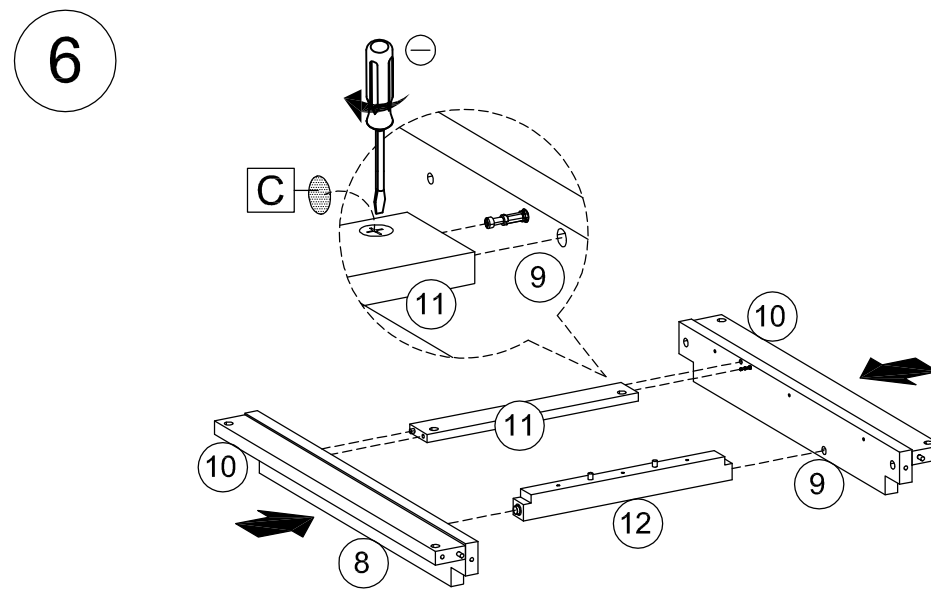
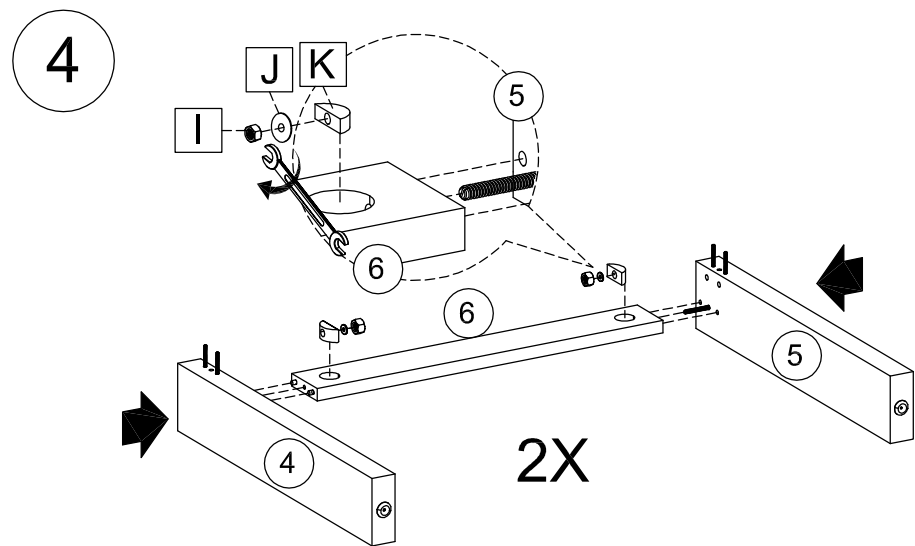
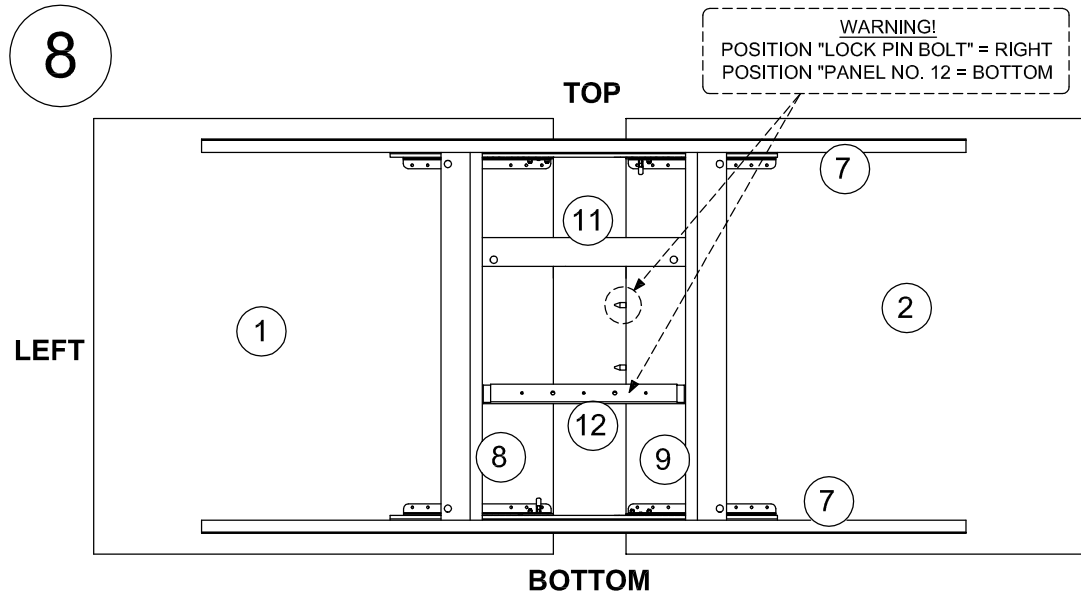


A  10x	B  10x	C  10x	D  24x	E  12x
F  12x	G  1set	H  12x	I  12x	
J  12x	K  12x	L  9x	M  2x	N  4x
O  24x				

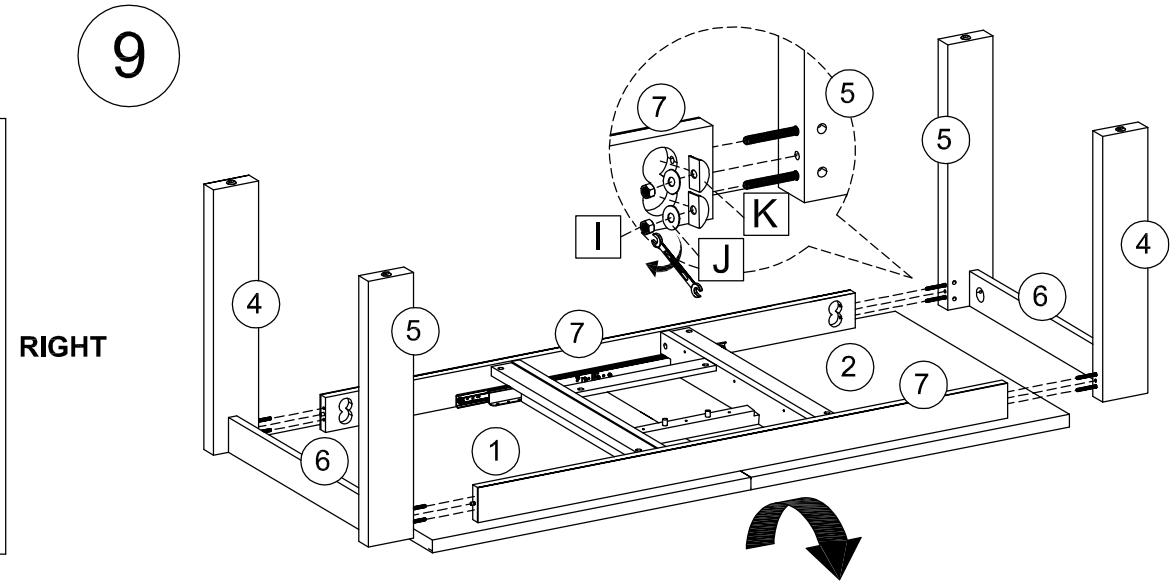




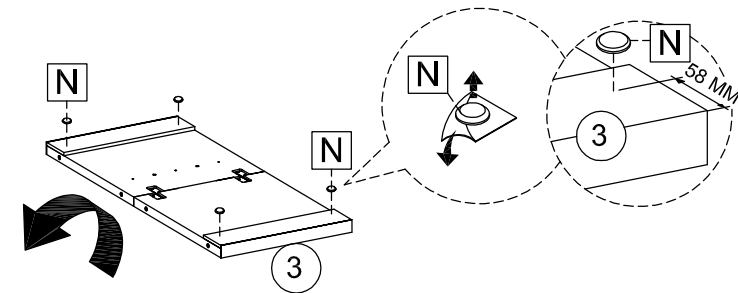
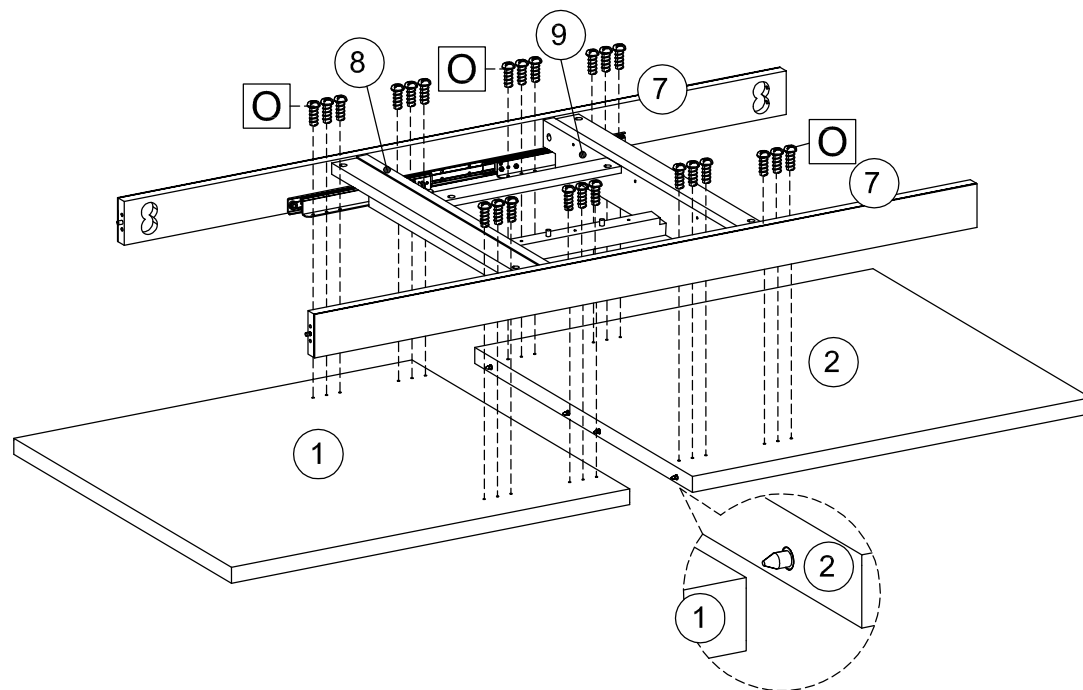
8



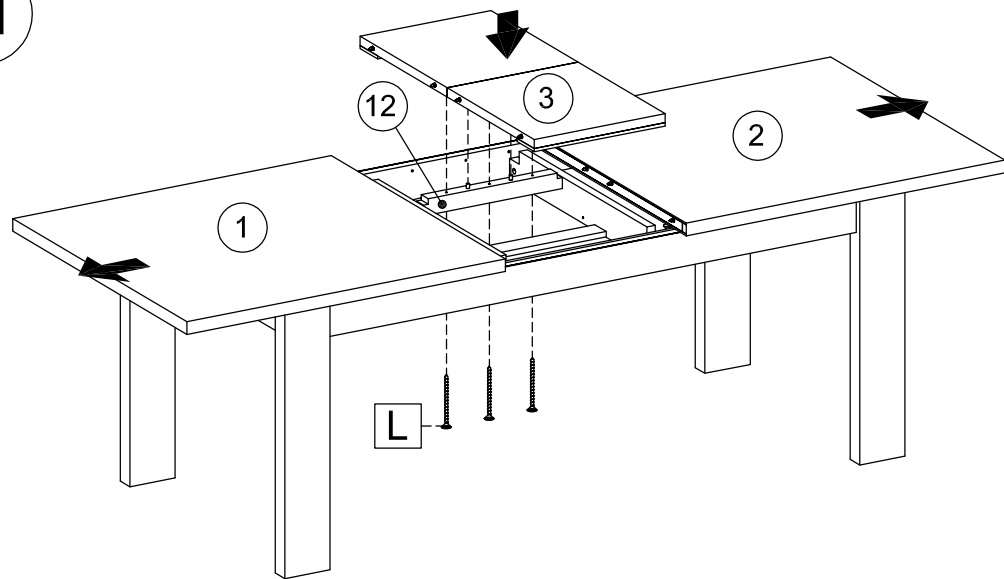
9



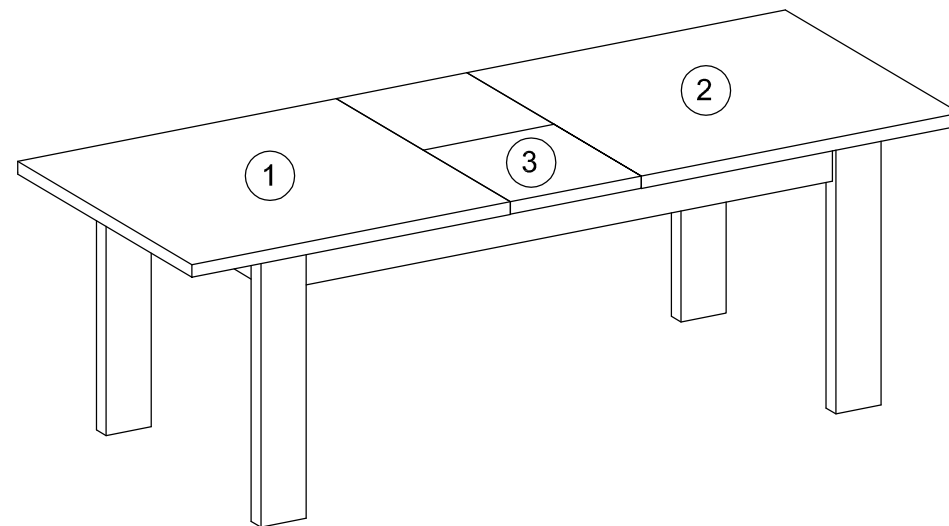
10



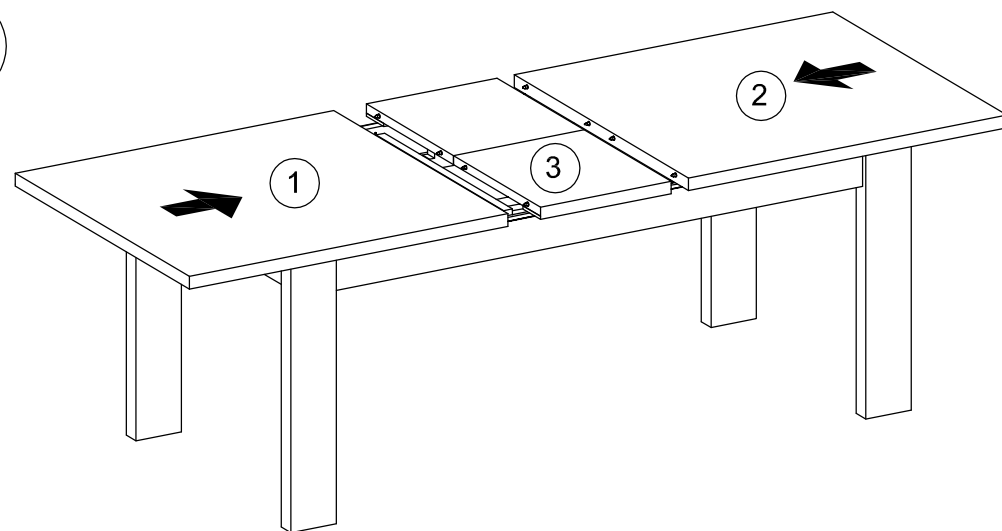
11



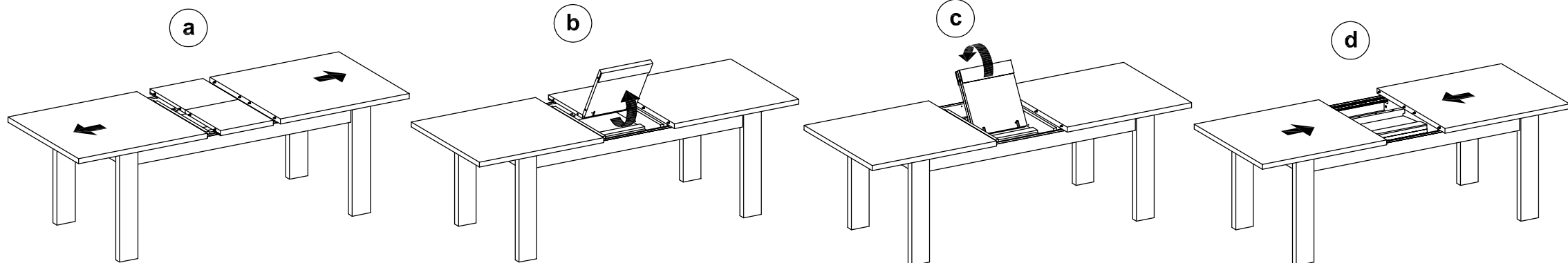
13



12



A



B

