



















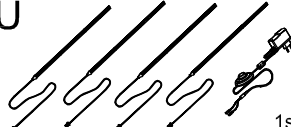
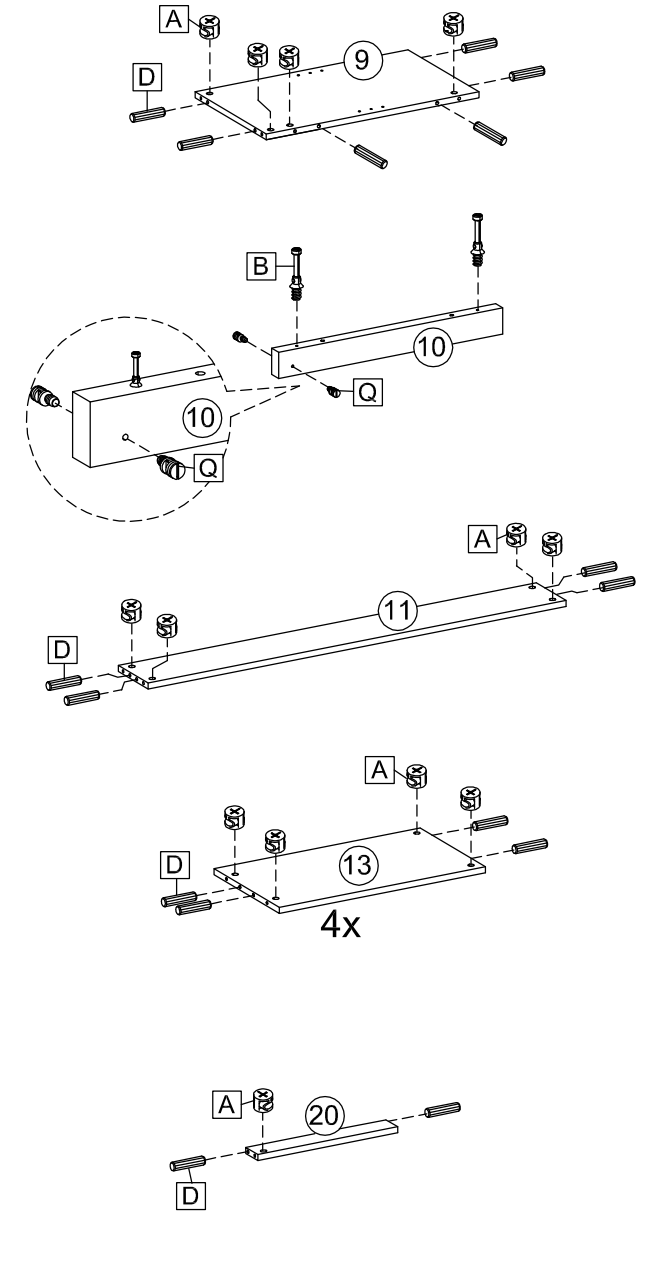
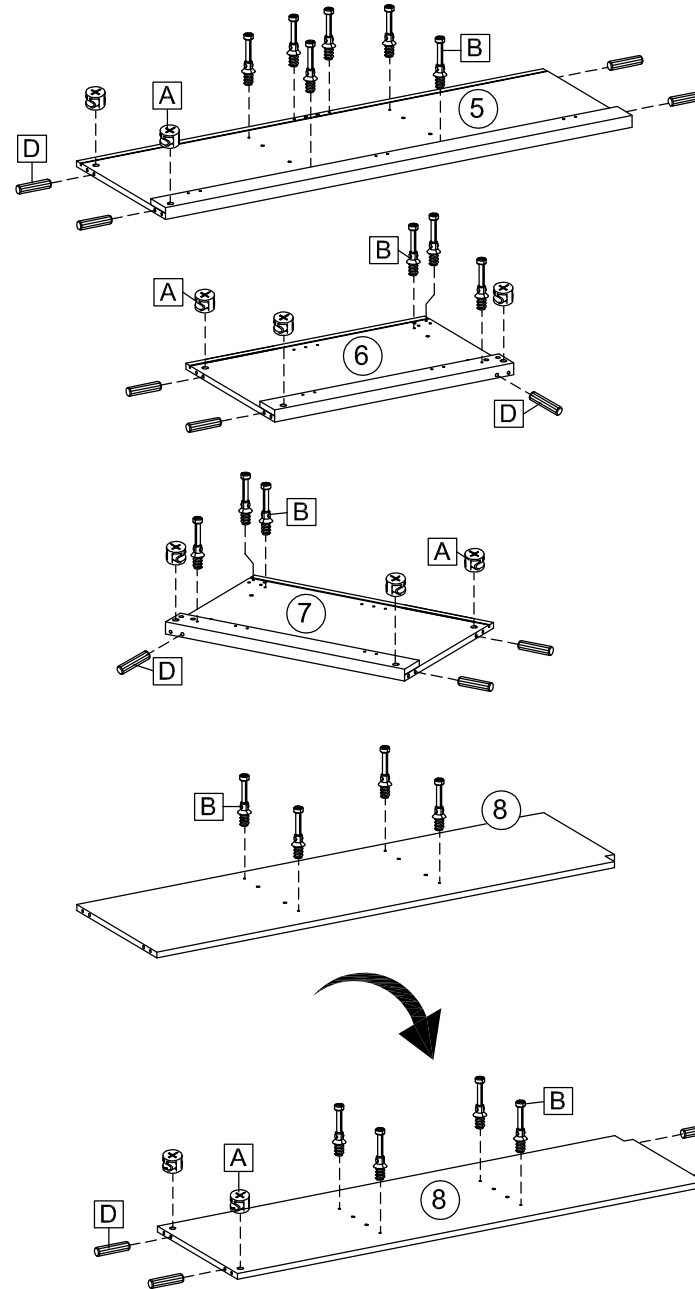
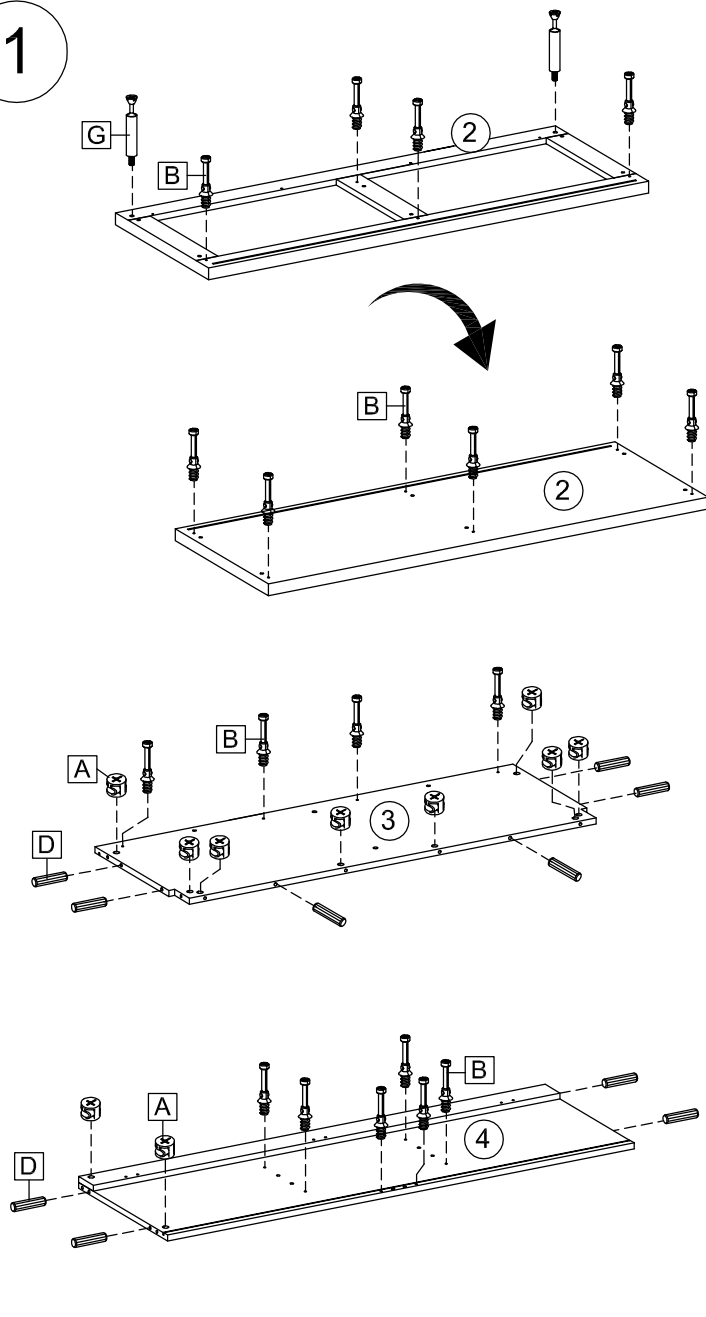
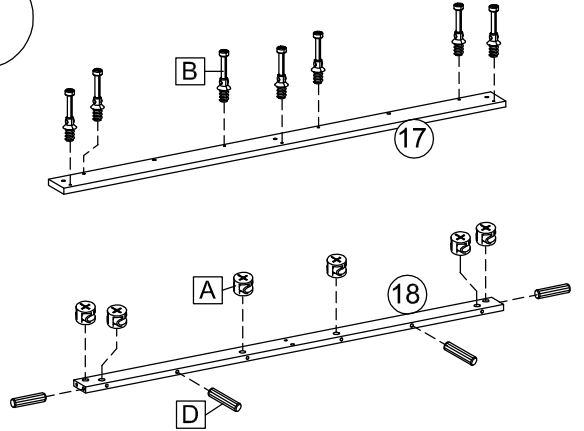


A  51x	B  49x	C  51x	D  56x	E  9x
F  16x	G  2x	H  4x	I  8x	J  32x
K  38x	L  6x	M  2x	N  2x	O  8x
P  2x	Q  2x	R  11x	S  10x	T  2x
U  1set				

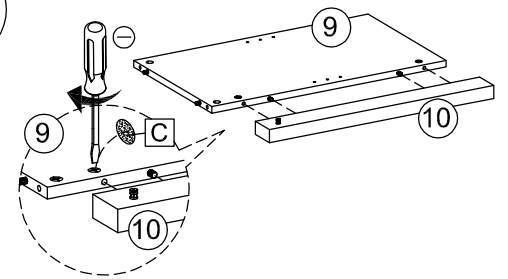
1



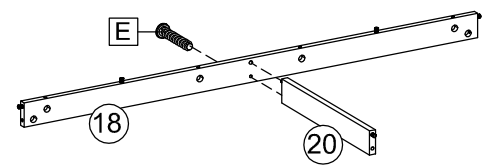
2



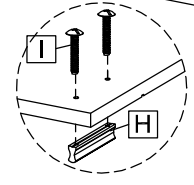
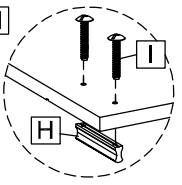
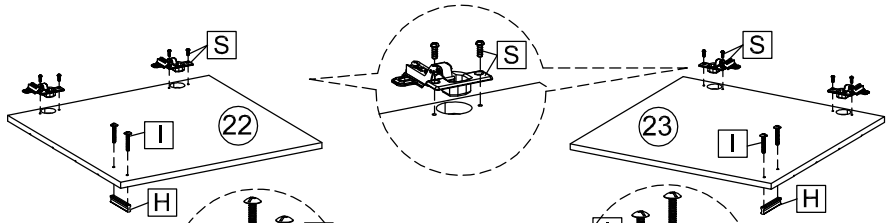
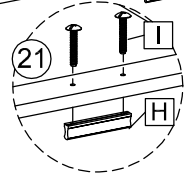
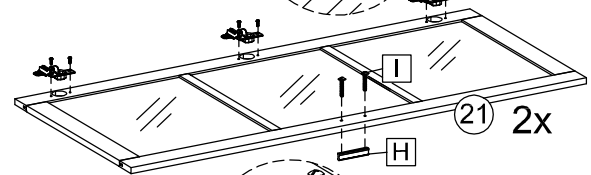
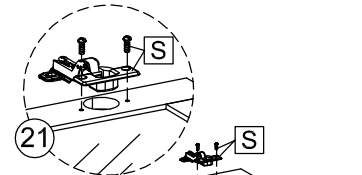
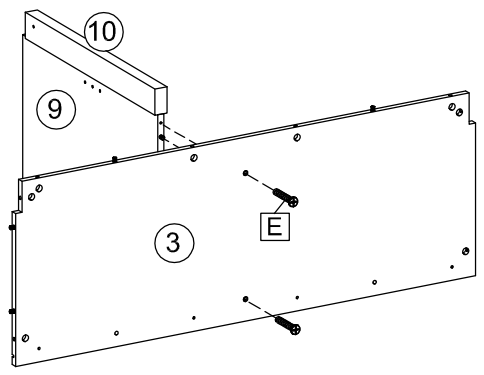
3



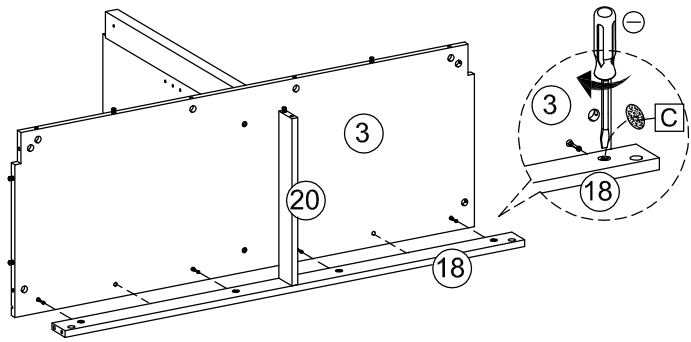
4



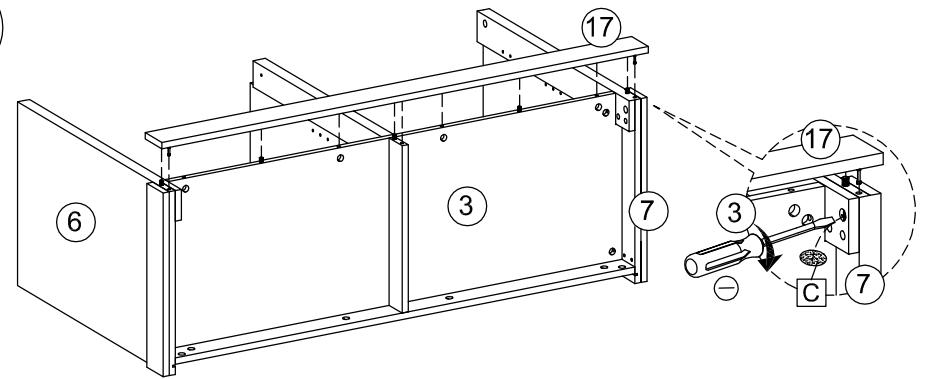
5



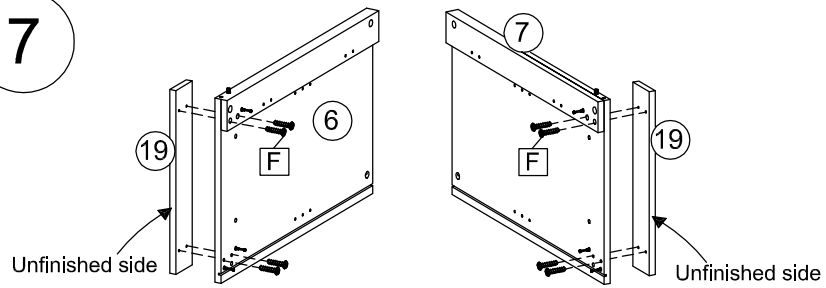
6



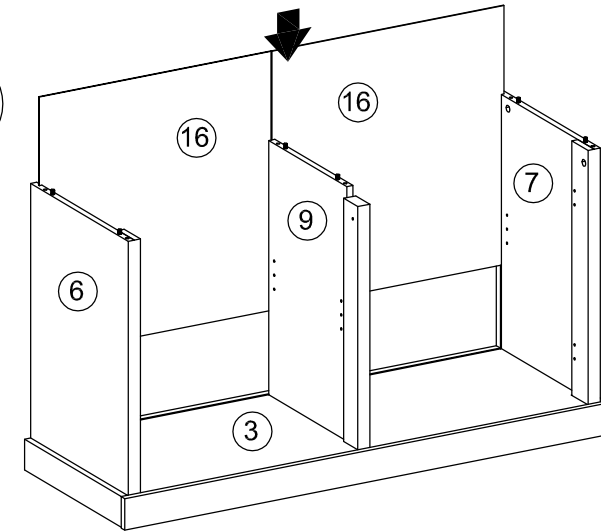
9



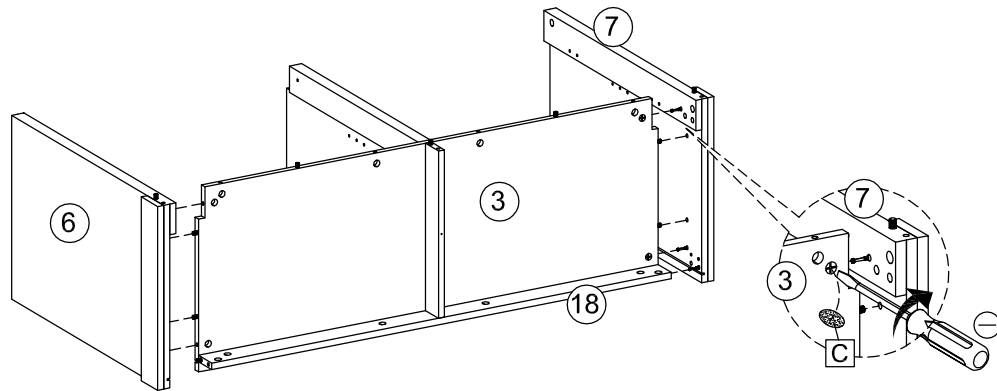
7



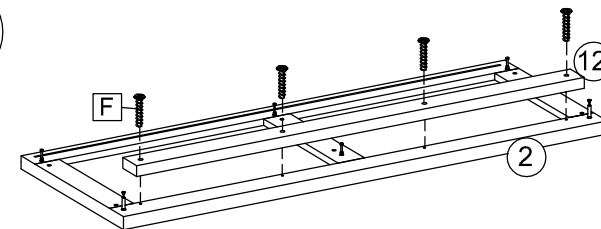
10



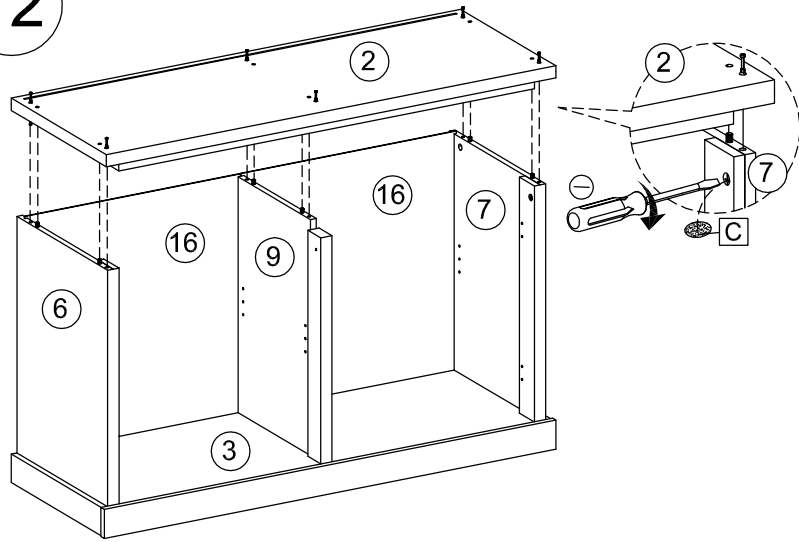
8



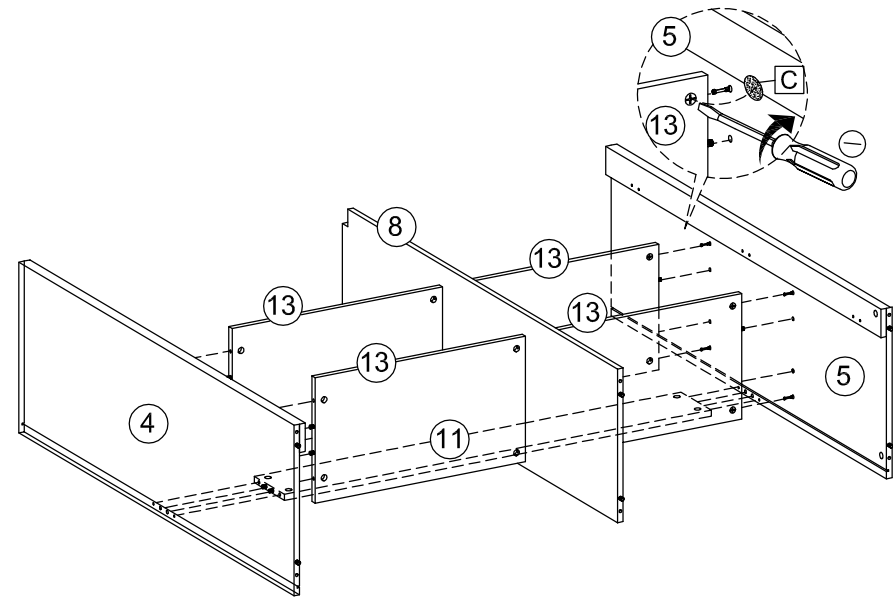
11



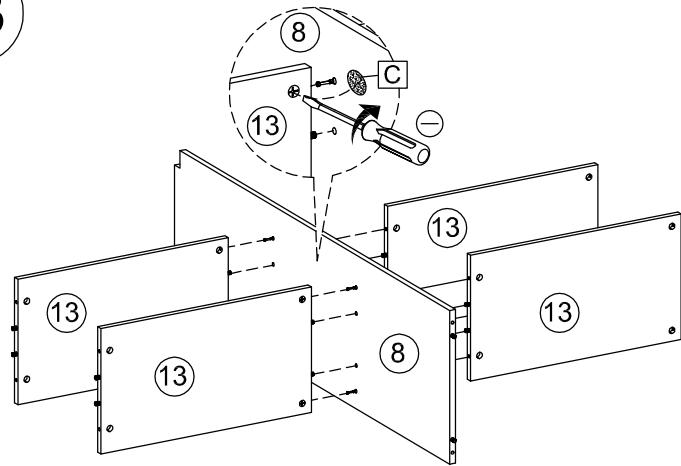
12



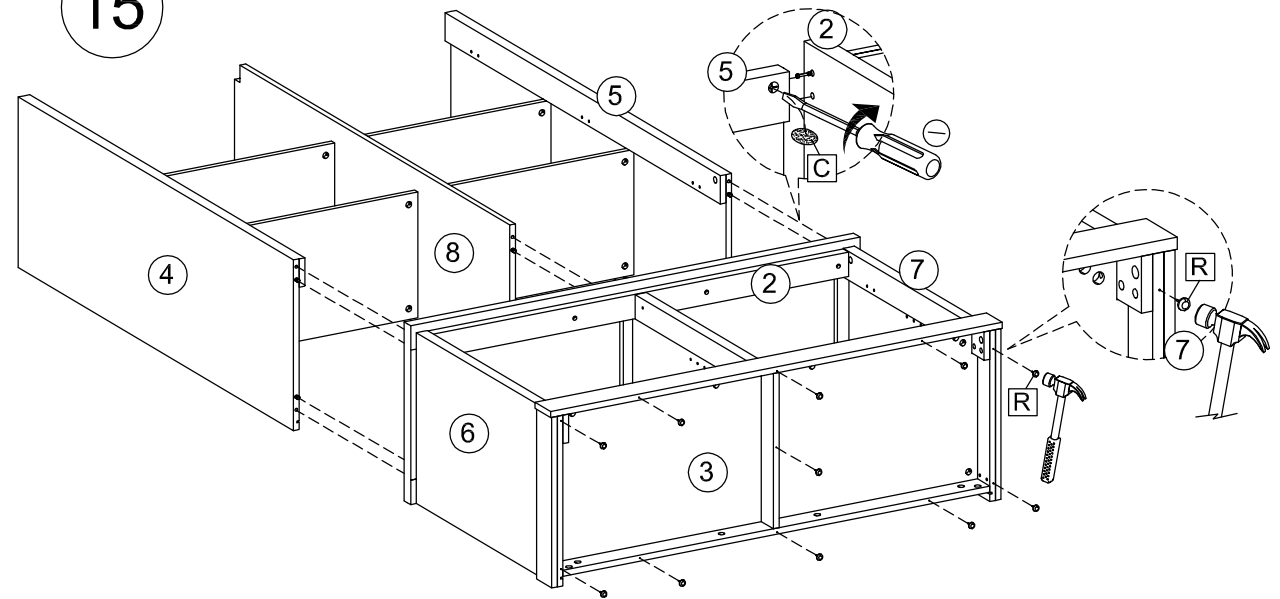
14



13



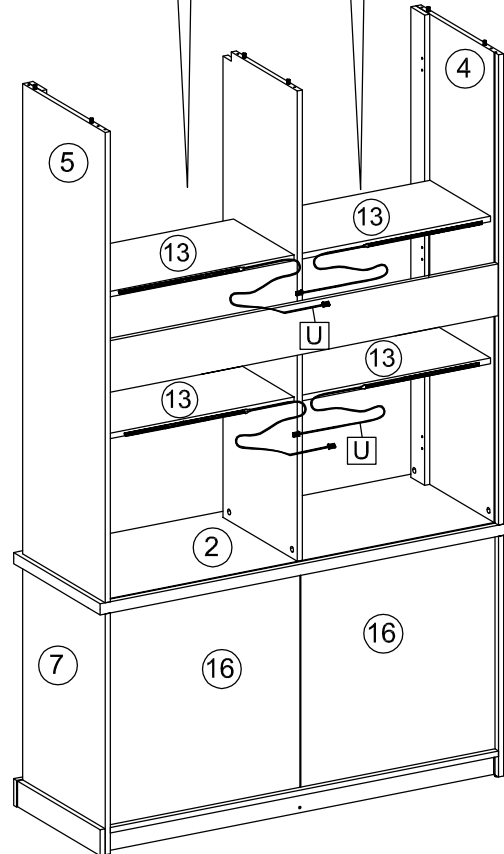
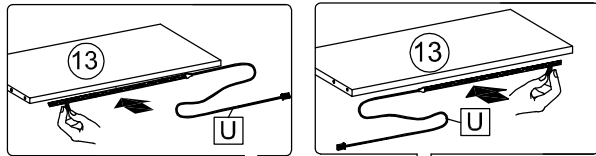
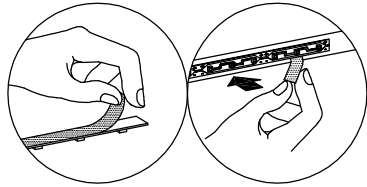
15



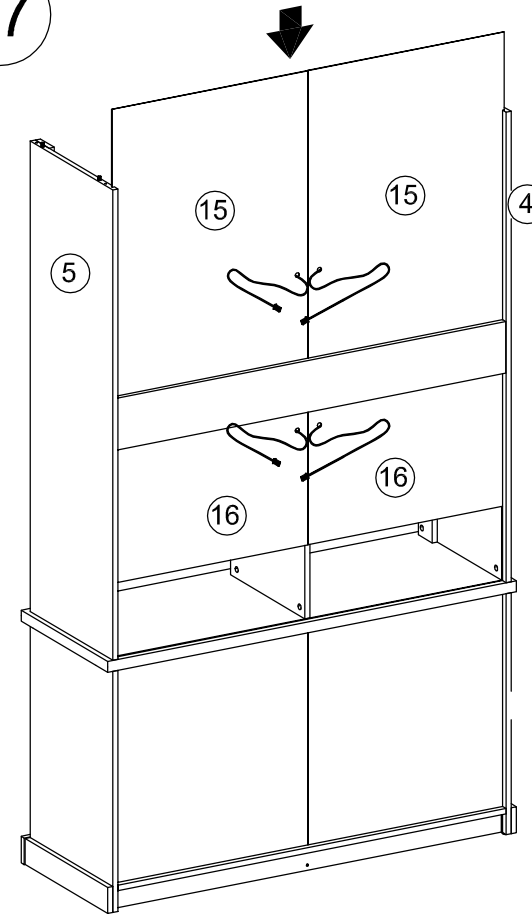
16

STEP 1

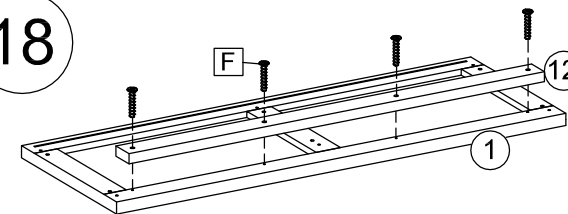
STEP 2



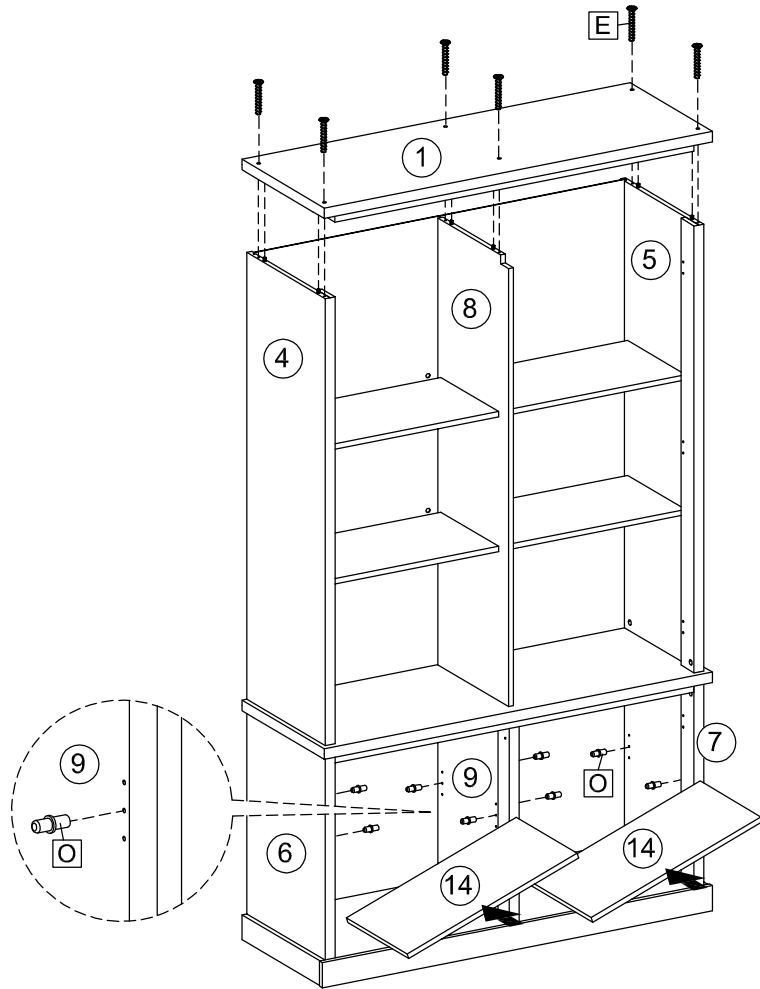
17



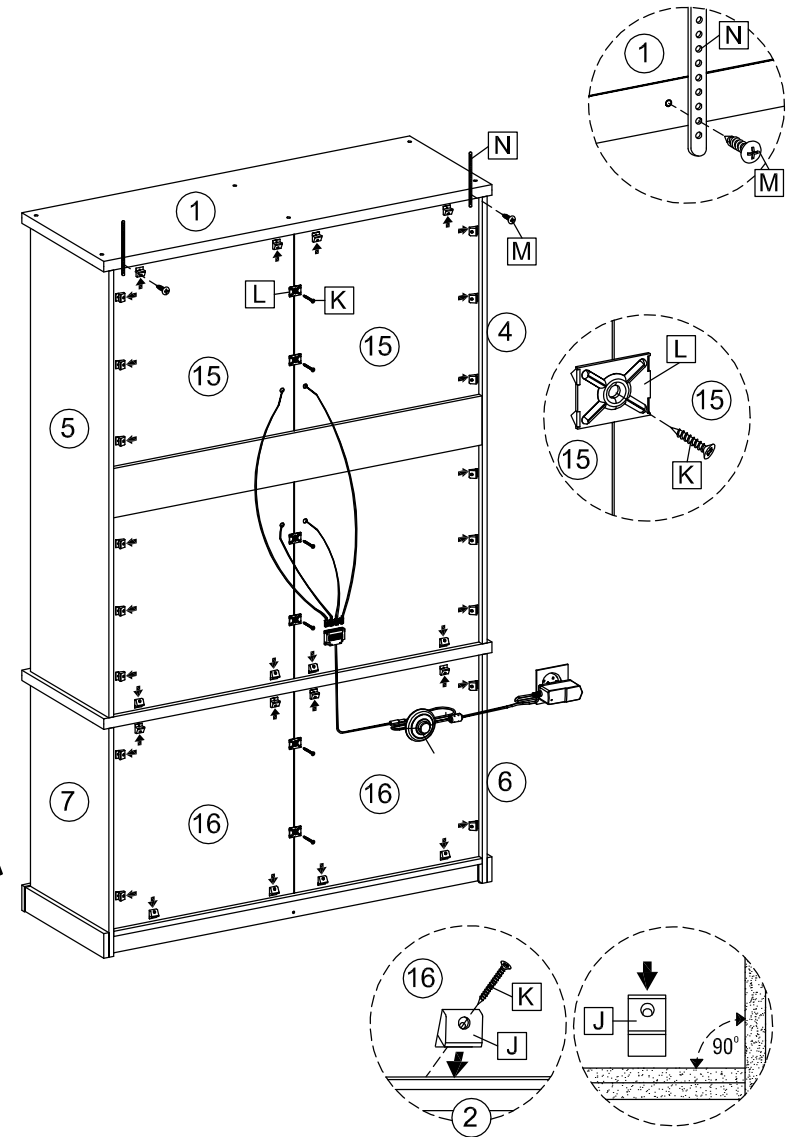
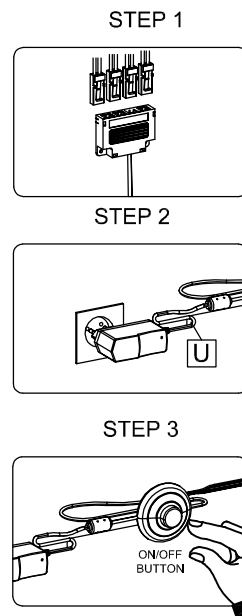
18



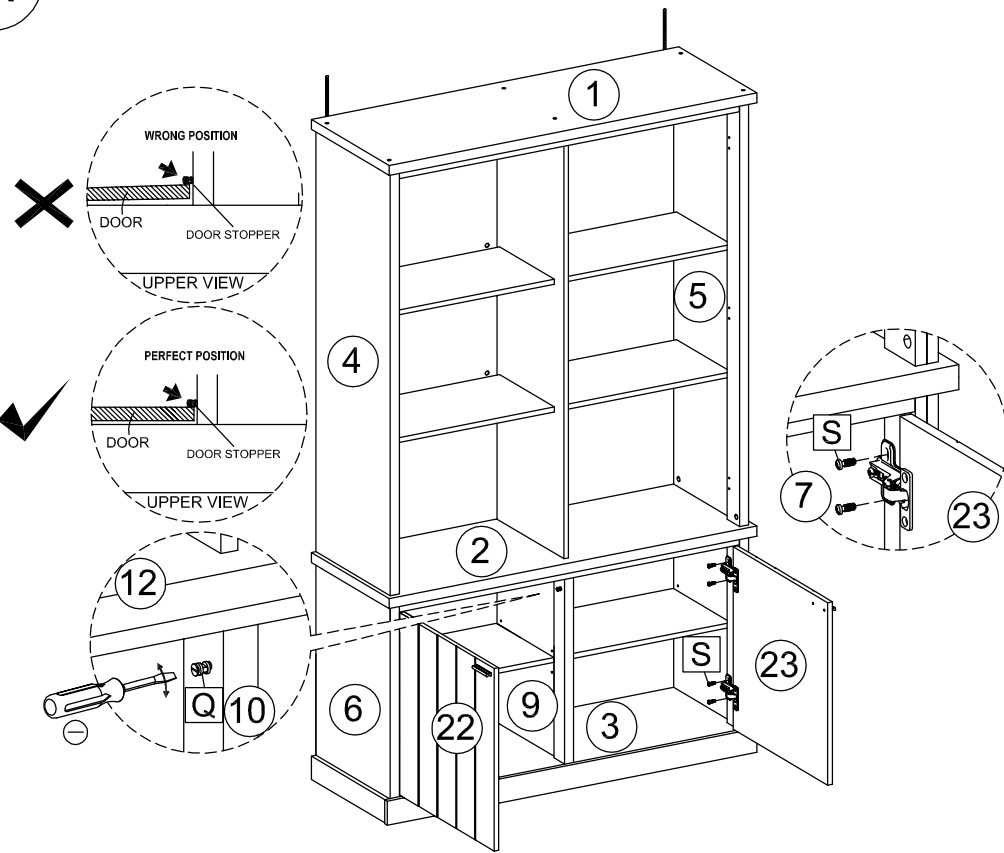
19



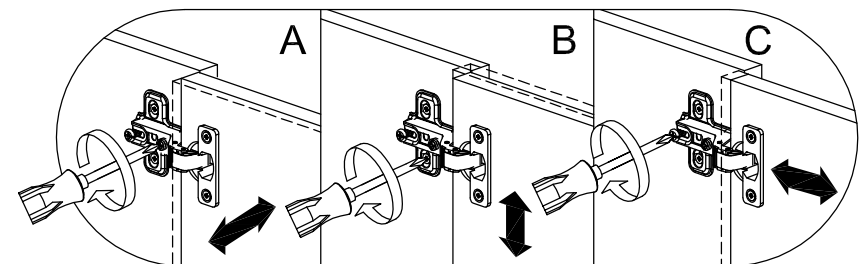
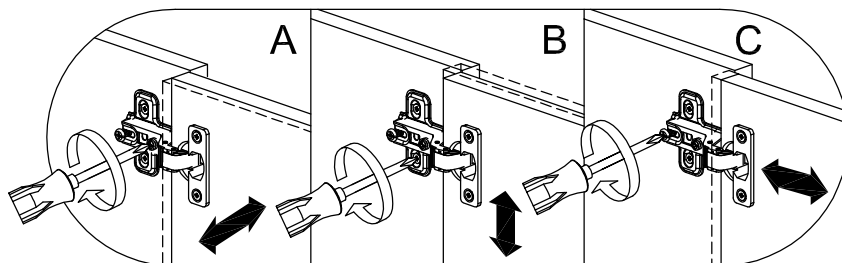
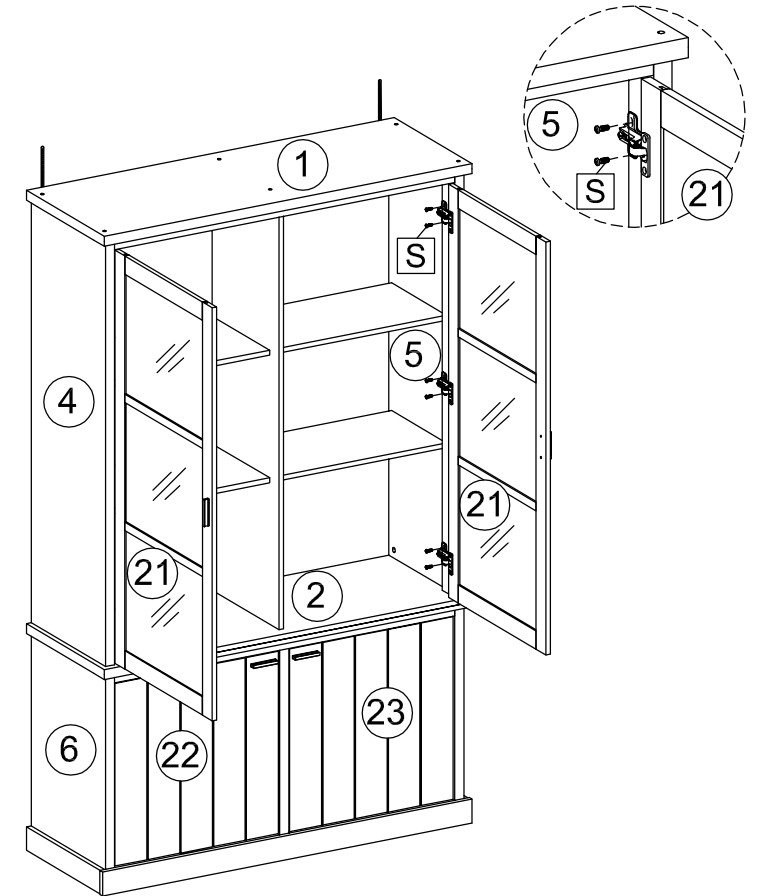
20



21



22



23

